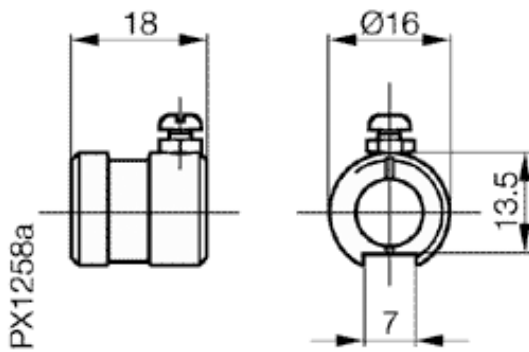


Accessories: Mounting unit BMF 10E-HW-19



Common Data

Version
Usable with

Bracket
with BMF10E.. on pneumatic
cylinder

Mechanical Data

Measurements WxHxD or Dia x D
Material
Weight
Mounting

Ø16x18
1.4305
approx. 10
with hose clamp (please order
separately)

Datasheet number::

Definitions see general catalog.
If not otherwise noted, ratings according to
IEC 60947-5-2 (DIN EN60947-5-2)

Balluff GmbH
Schurwaldstrasse 9
73765 Neuhausen a.d.F.
Phone (07158) 173-0 Fax (07158) 5010

Datenblatt by CD-ROM - 04/2007

BALLUFF
sensors worldwide